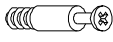


Ax45



Hx7



Ox1



SW 6

Bx45



Ix14

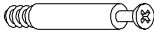


Px1



SW 4

Cx12



Jx28



Dx12



Kx14



Ex4



Lx4



Fx40



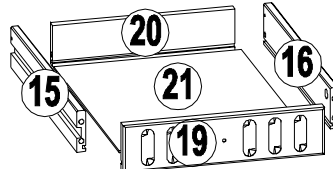
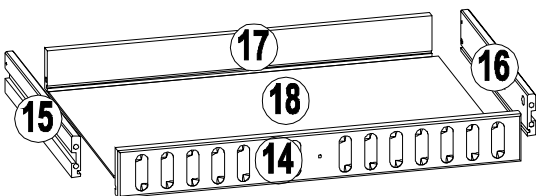
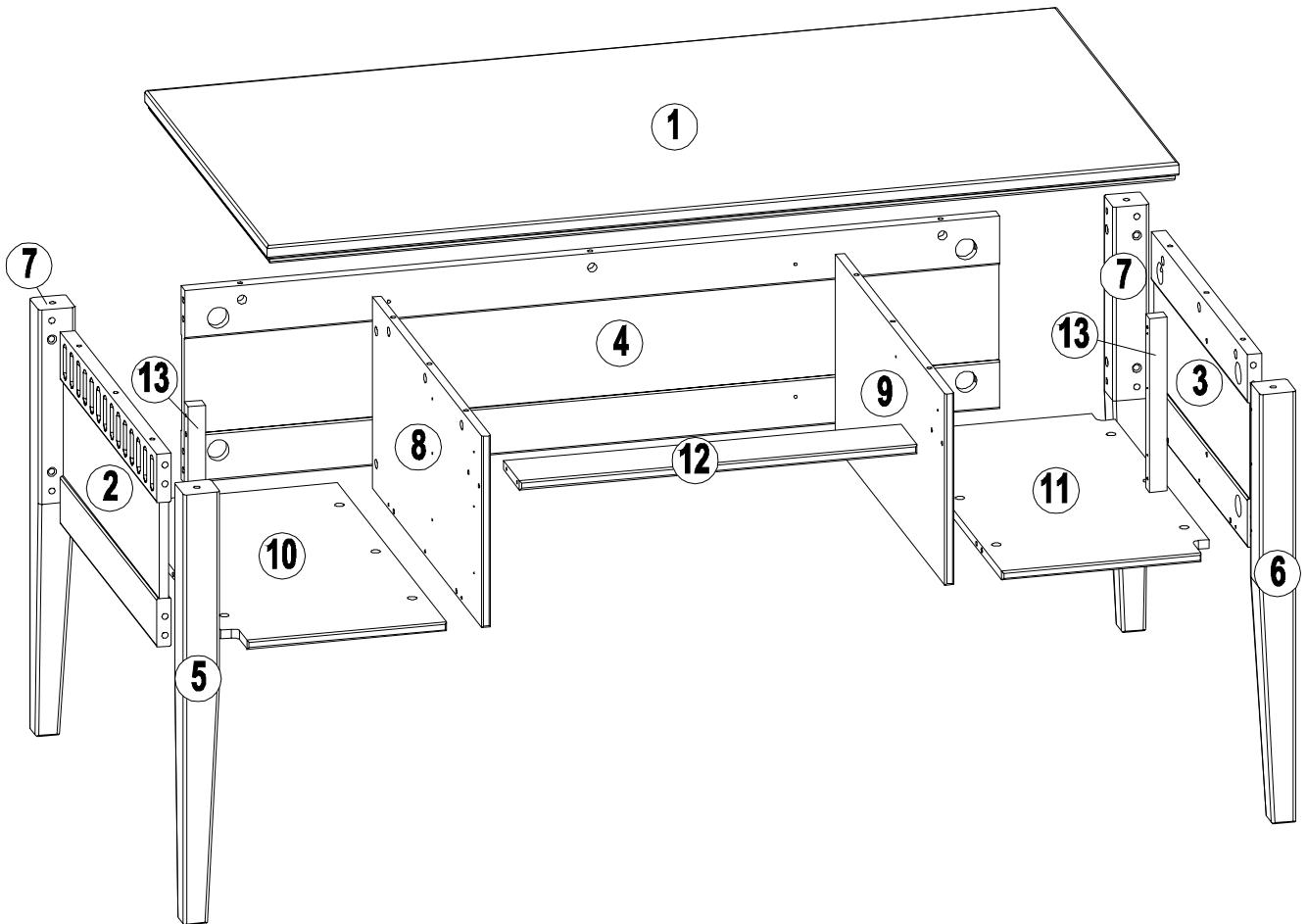
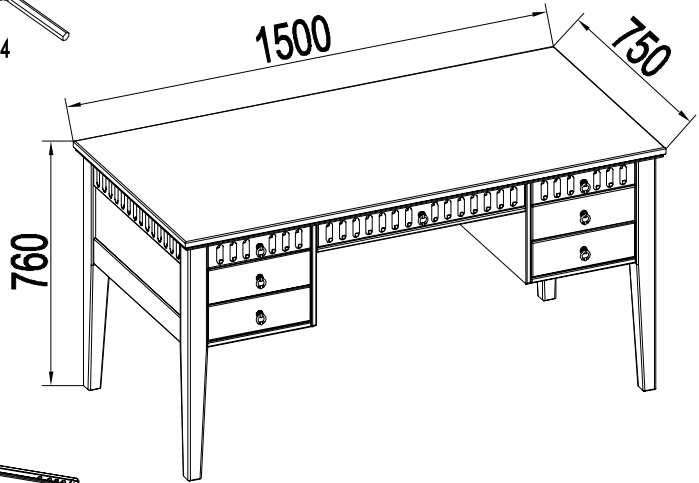
Mx7



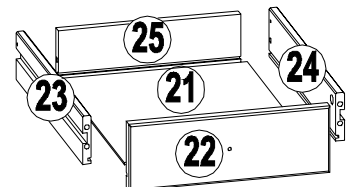
Gx16



Nx14

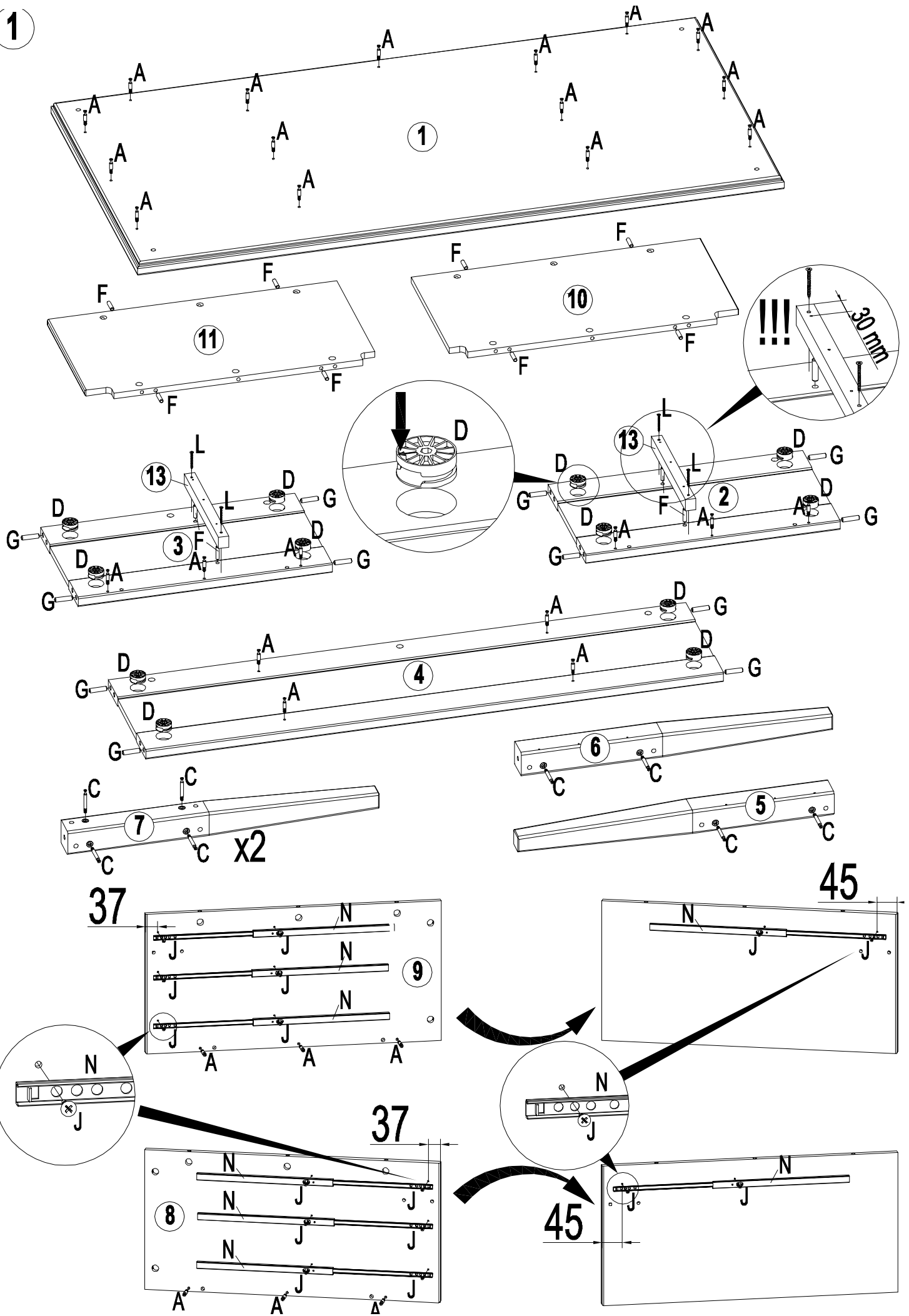


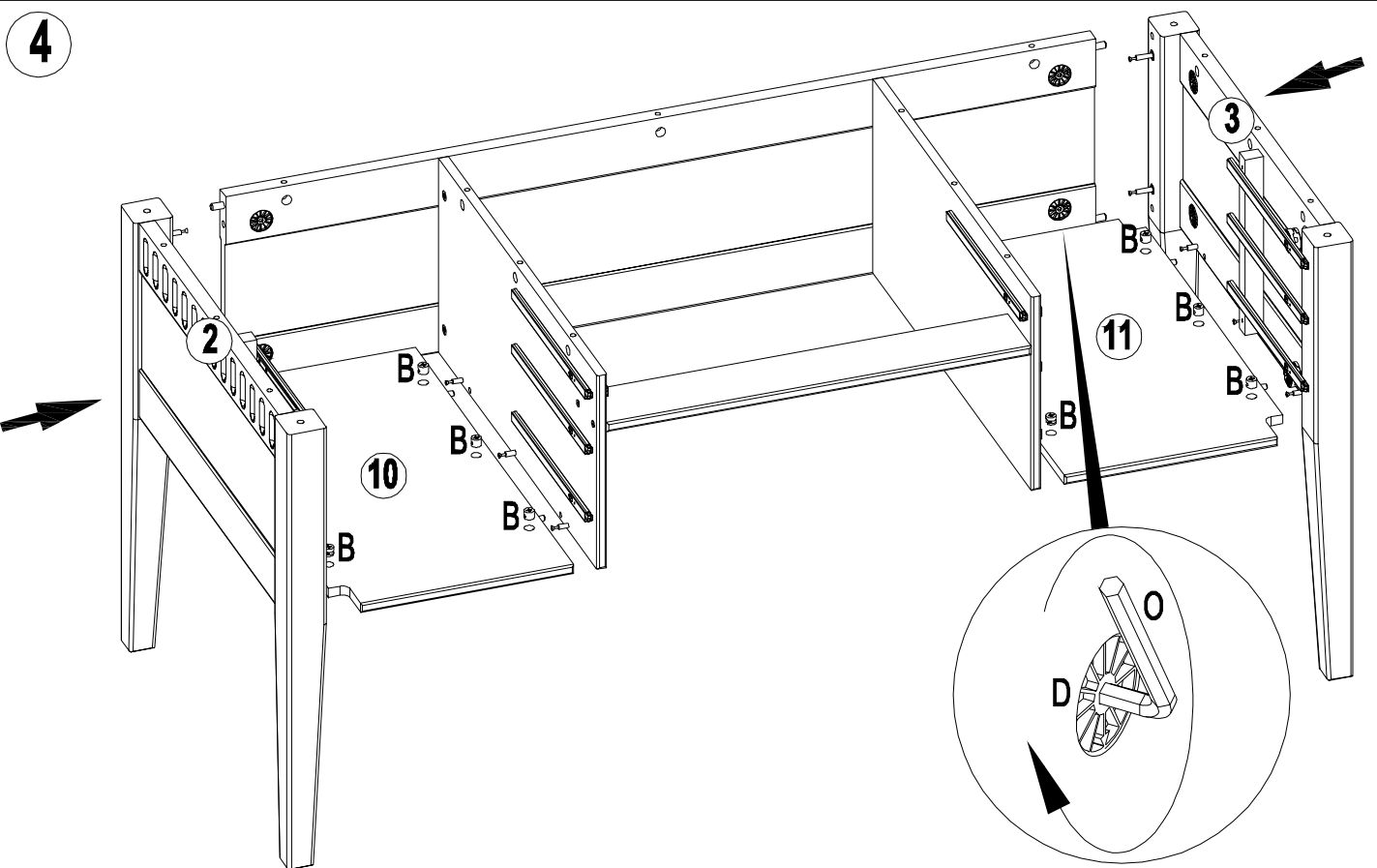
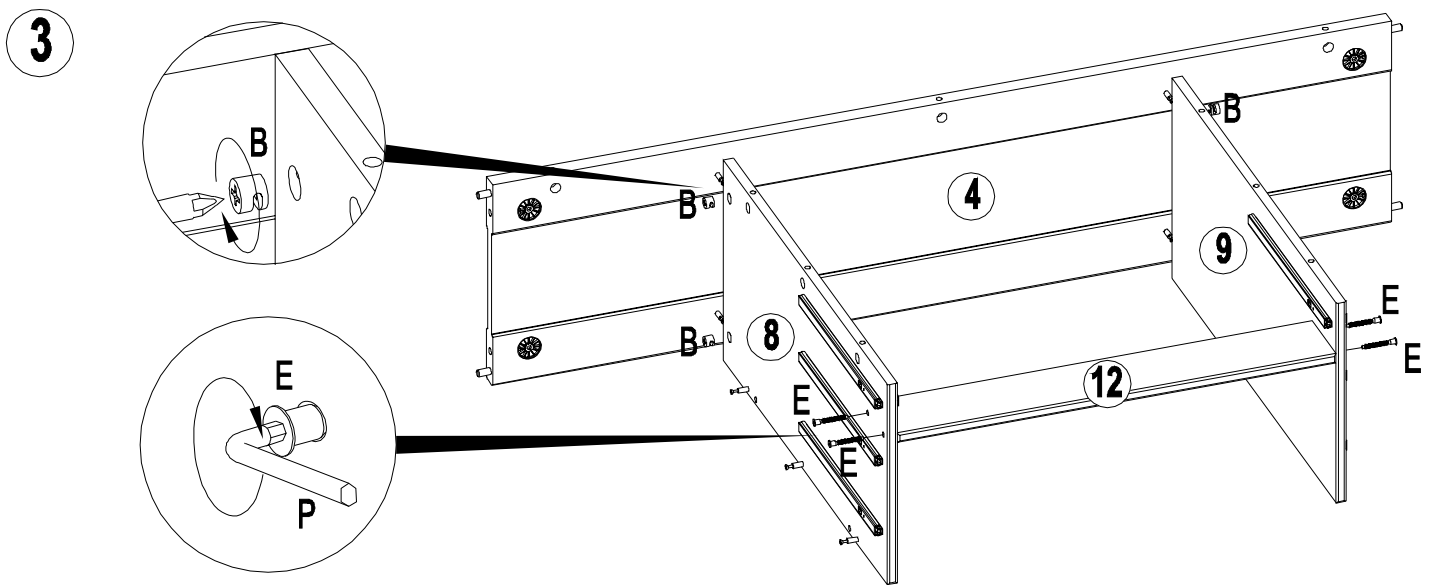
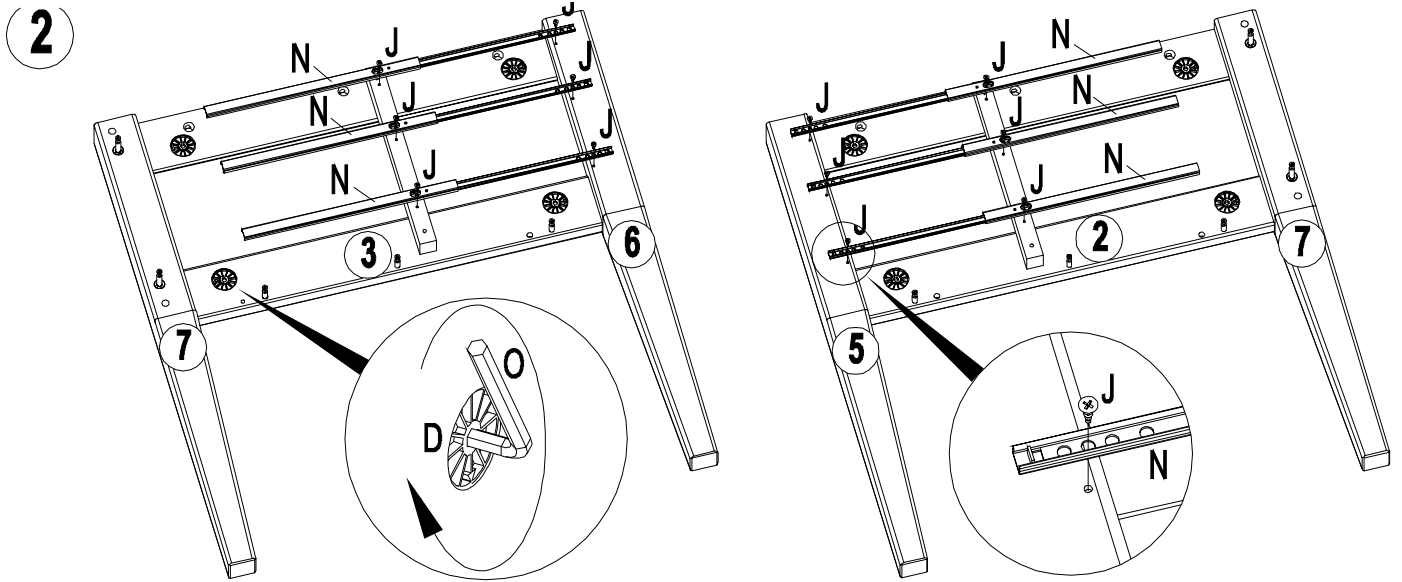
x2



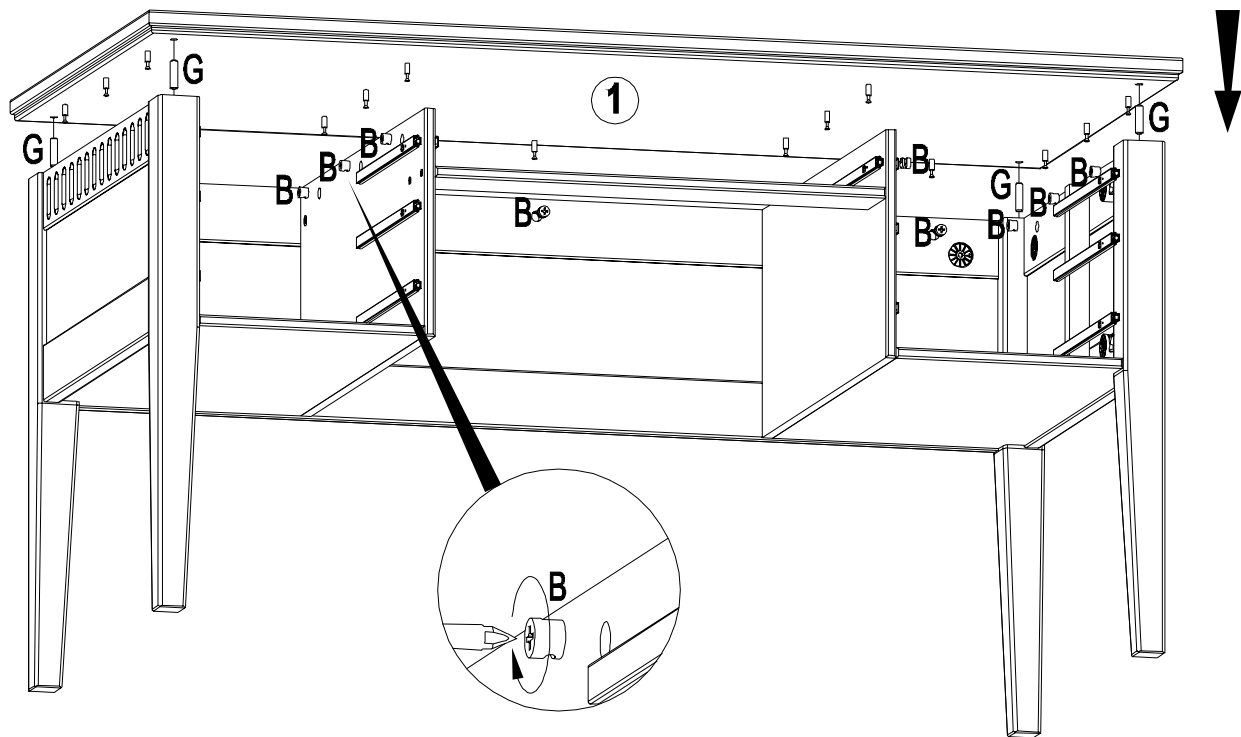
x4

1

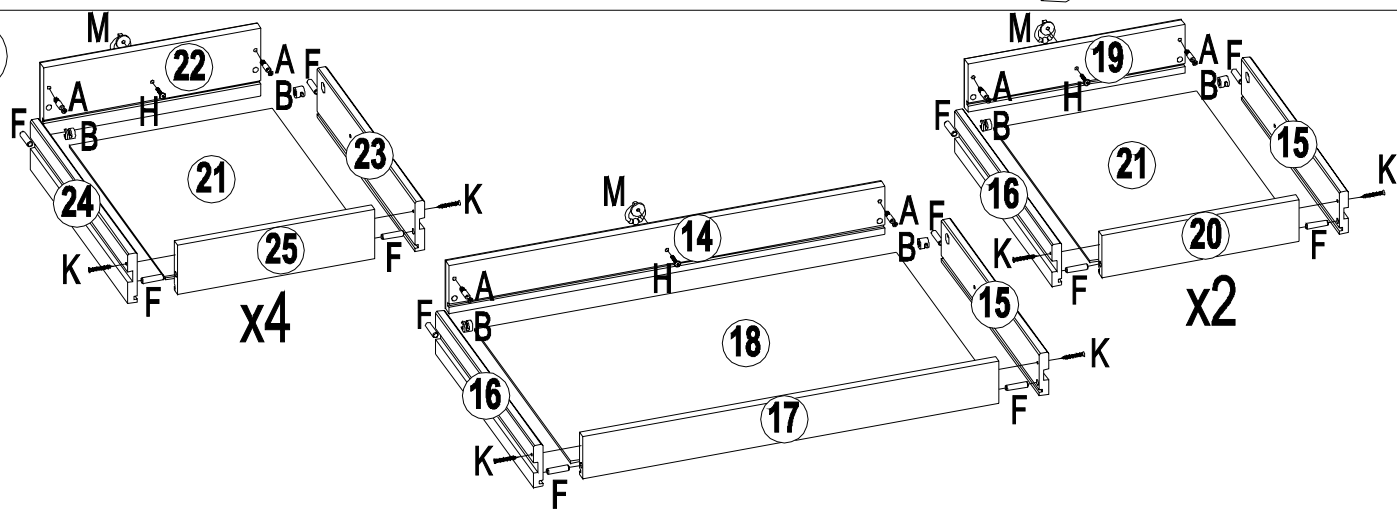




5



6



7

